

Wireless Access Control Light Commercial Lockset

ASSA ABLOY

The global leader in
door opening solutions.

Installation Instructions

Tools



Cross Screwdriver



Drill



Angle Ruler



Lead Pencil



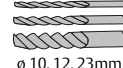
Wrench



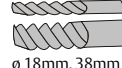
Chisel



Hammer



Drill Bit
ø 10, 12, 23mm

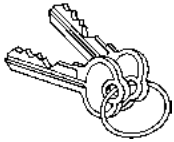


Drill Bit
ø 18mm, 38mm



Socket Screw Wrench

Pack Contents



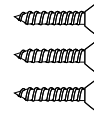
Keys



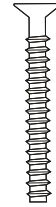
Allen Key



Wrench



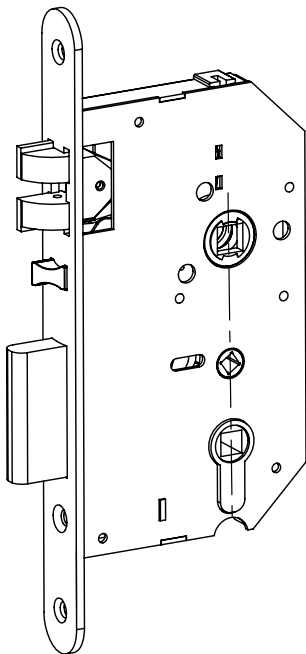
20mm Tapping
Screw



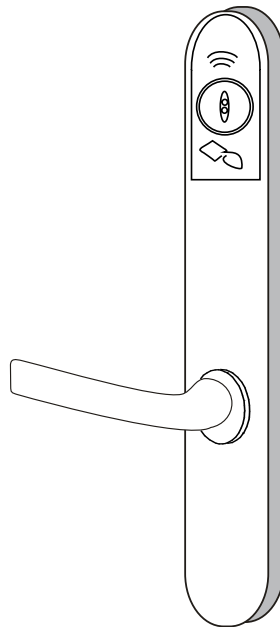
55mm Head Screw



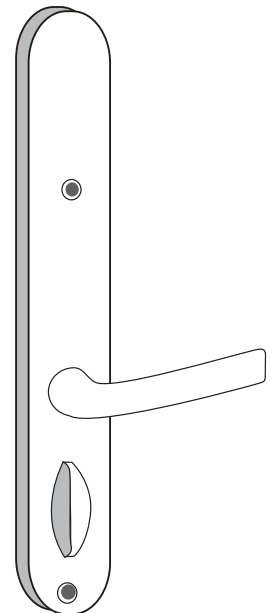
60mm Head Screw



Mortise Lock



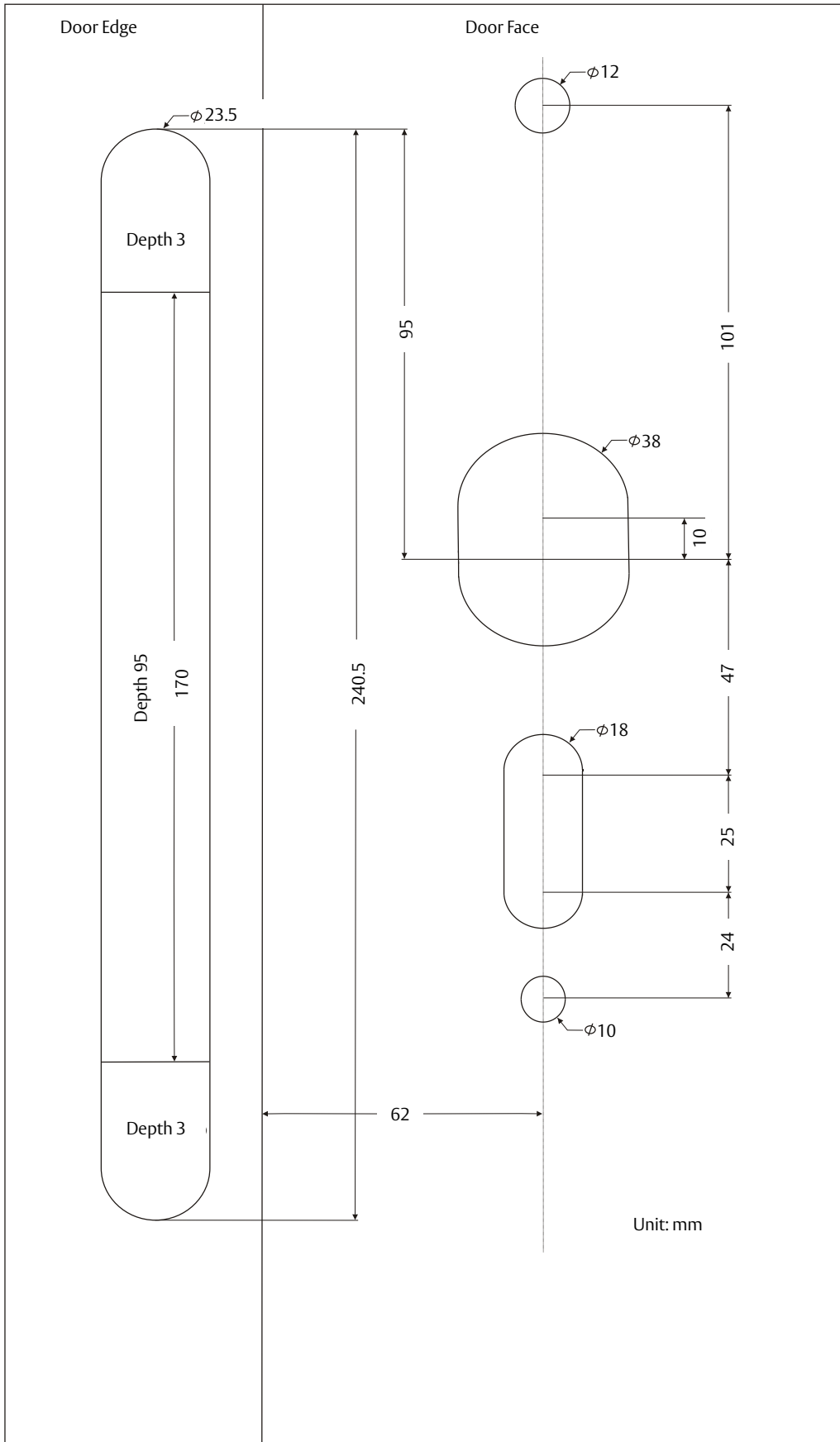
Inside Escutcheon



Outside Escutcheon

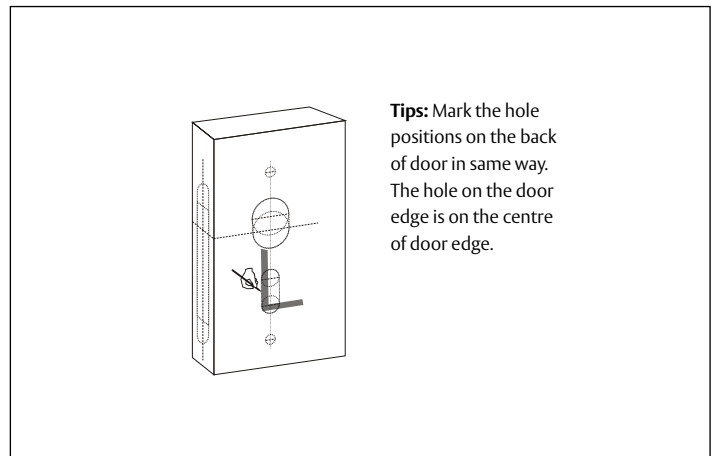
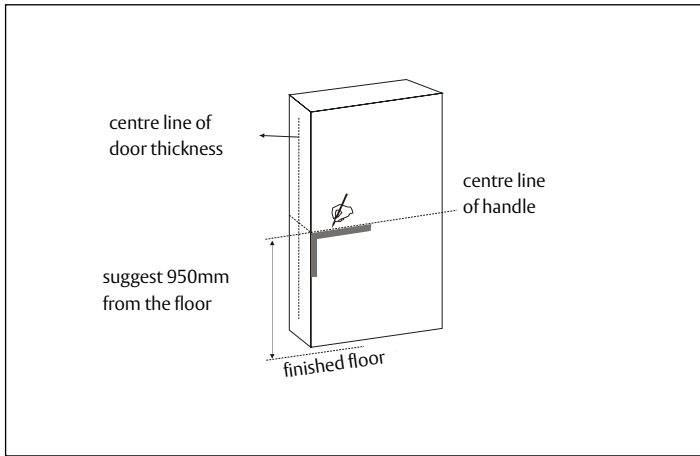
1. Door Preparation

Route the door as shown in the routing diagram.



Note: Drawings are for reference only. Not to scale.

1. Door Preparation (continued)...

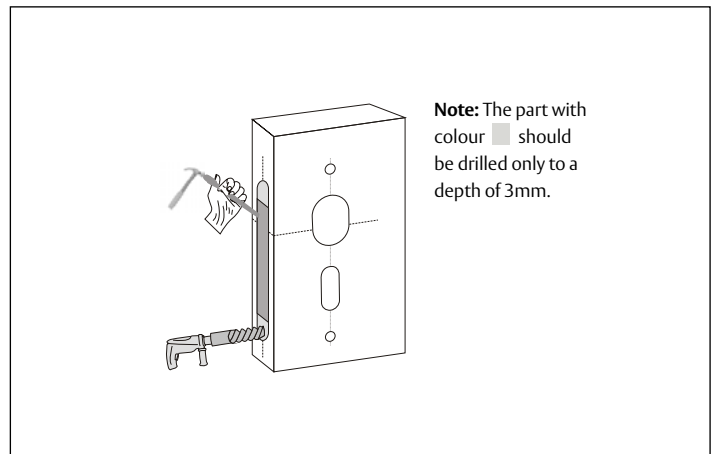
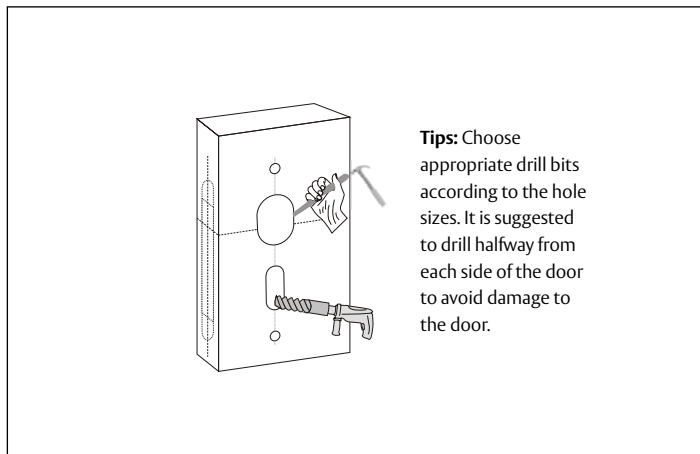


Tips: Mark the hole positions on the back of door in same way. The hole on the door edge is on the centre of door edge.

- Mark horizontal line as the centre line of handle, vertical line as the centre line of door thickness.

- Mark the positions of all holes according to the template

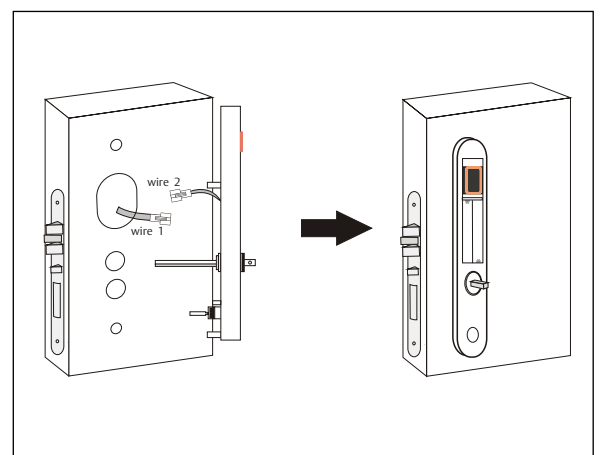
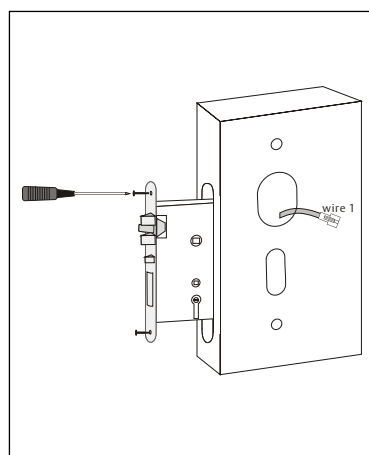
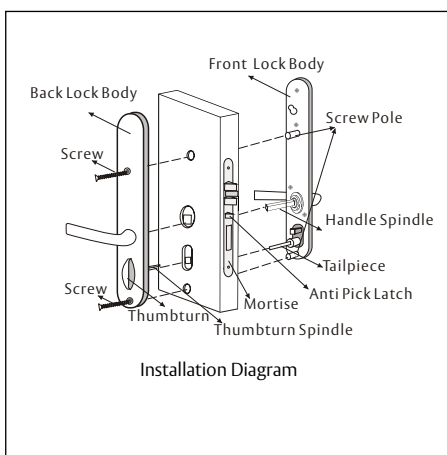
From finished door, measure desired height (950mm as recommended) on door. Stretch it to a horizontal line cross 3 sides of the door. Draw a vertical line on the centre of the door edge.



- Drill holes on the door face

- Locate the hole on the door edge

2. Lock Installation



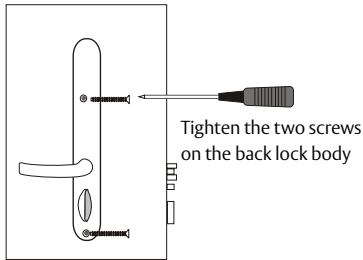
- Install the mortise

Tips: Keep the deadbolt unlocked. Get the Wire 1 on the mortise to go through to the door face as the picture shows.

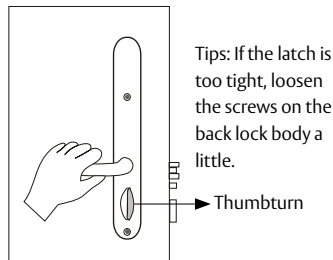
- Install the front lock body

Connect Wire 1 with Wire 2. Get the handle spindle and tailpiece to go through the relative hole on the mortise and get the front lock body to be close to the door face.

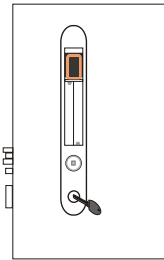
2. Lock Installation (continued)...



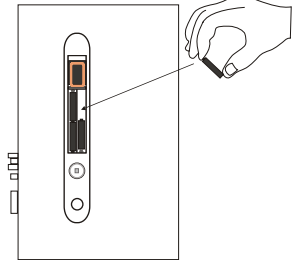
- Install the back lock body
Turn and adjust the thumbturn till it can operate the deadbolt.



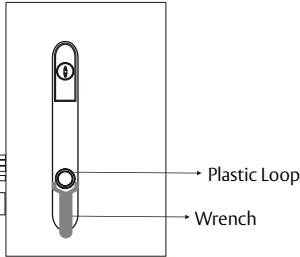
- Test the latches
Turn the back handle and thumbturn to see whether they can operate the latches smoothly.



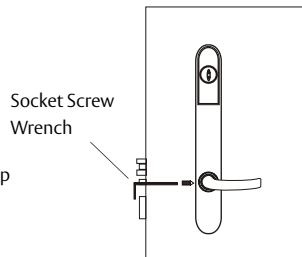
- Test the override key
Insert the override key into the cylinder and turn it to see whether it can operate the latches including the deadbolt.



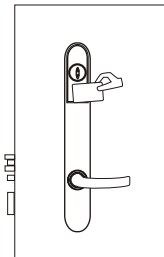
- Install batteries (4 x 1.5V AA Alkaline)



- Fix the front cover
Fix the front cover on the front lock body. Tighten the plastic loop with the wrench.



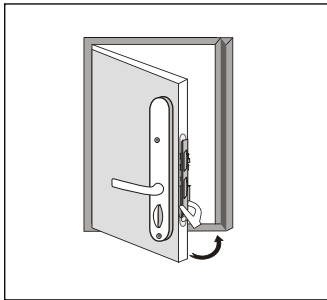
- Fix the front handle
Put the front handle on the front lock body and tighten the screw with the socket screw wrench.



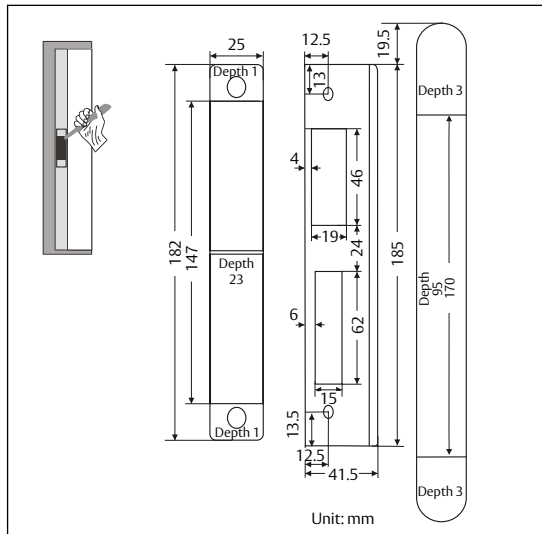
- Test the electronic part
Swipe the reset card to see whether the green indicator light is on.

Note: After lock testing, keep the deadbolt unlocked again to avoid possible damage to the door frame.

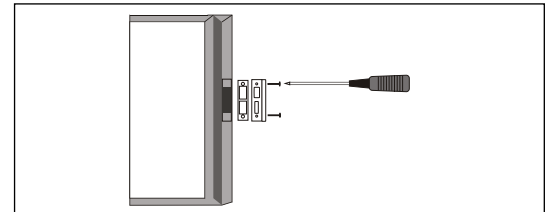
3. Strike Plate Installation



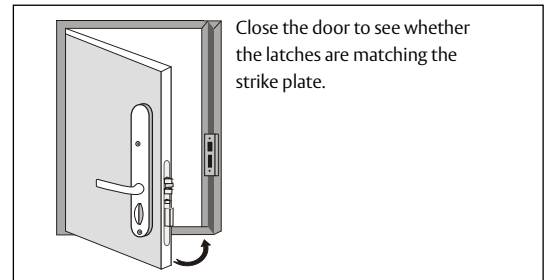
- Locate the strike plate
Match the strike plate on the latches properly by your hand, and get the latches to be on the centre of the holes on the strike plate. Try closing the door and mark the position of the strike plate on the door frame.



Note: Drawings are for reference only. Not to scale. • Open the hole on the door frame with a chisel



- Install the plastic slot and strike plate



Close the door to see whether the latches are matching the strike plate.

- Test the strike plate

ASSA ABLOY WARRANTY

ASSA ABLOY Asia Pacific ("ASSA ABLOY") guarantees its products against defects in workmanship and materials.

All electrical and electronic components used in ASSA ABLOY's range of products excluding batteries are guaranteed for a period of 12 months from the date of proof of purchase, unless stated otherwise.

ASSA ABLOY assumes no liability under the guarantee for the following:

1. Improper installation or failure to follow fitting instructions.
2. Failure due to improper maintenance.
3. Fair wear and tear.
4. Indirect or consequential loss or damage.
5. Cost of removal and/or replacement.
6. Cost of freight and/or travelling time.
7. Damage to or deterioration of plated finishes (soft finishes). As deterioration is possible under some environmental conditions, these finishes are excluded from this guarantee.
8. Any modification or repairs to a product, as supplied, unless authorised by ASSA ABLOY.
9. Use of replacement parts other than authorised parts.
10. Malfunction or failure of the product due to the use of non-genuine ASSA ABLOY parts.

Nothing in the ASSA ABLOY Asia Pacific Warranty excludes, restricts or modifies any condition, warranty, right or liability implied or protected by law where to do so would render the Warranty, or any part of it, void.



Q50143_0915