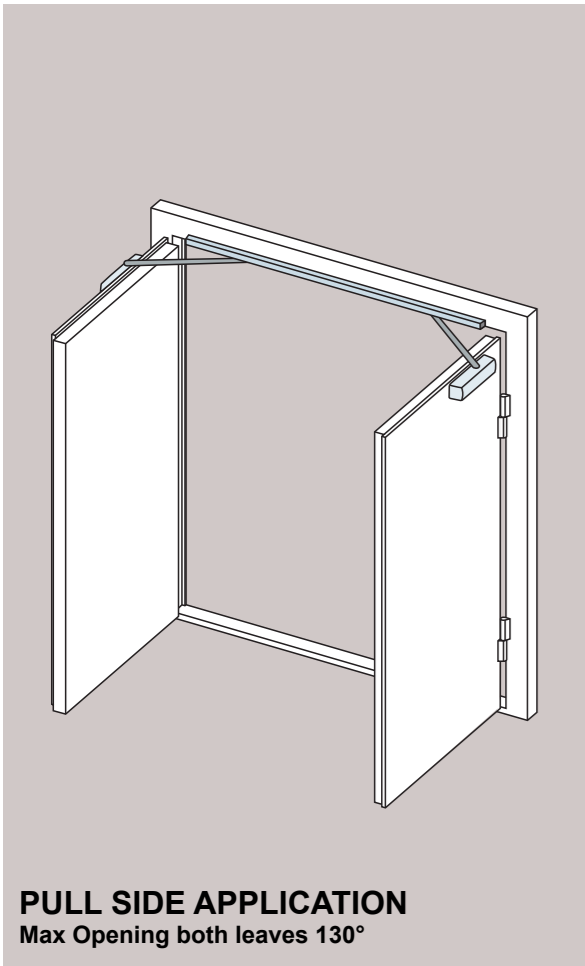




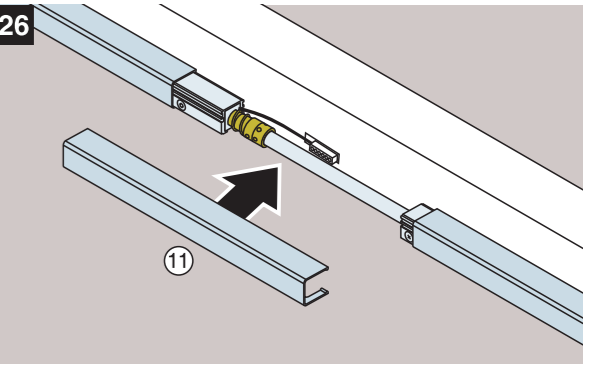
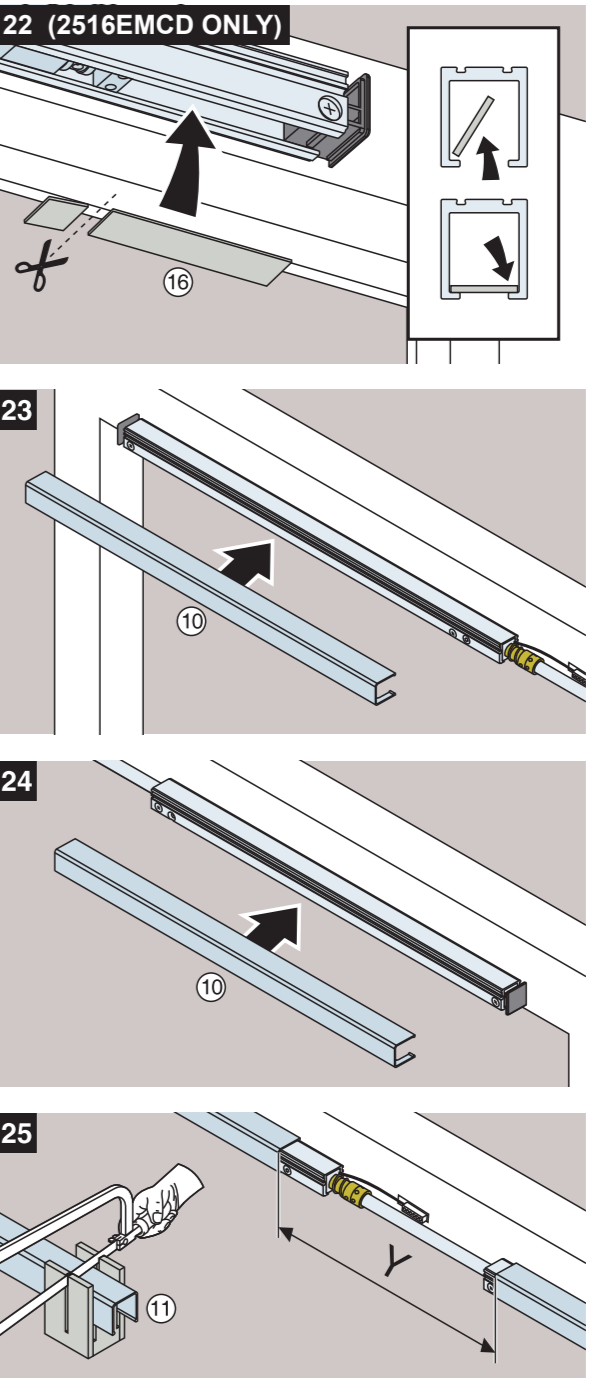
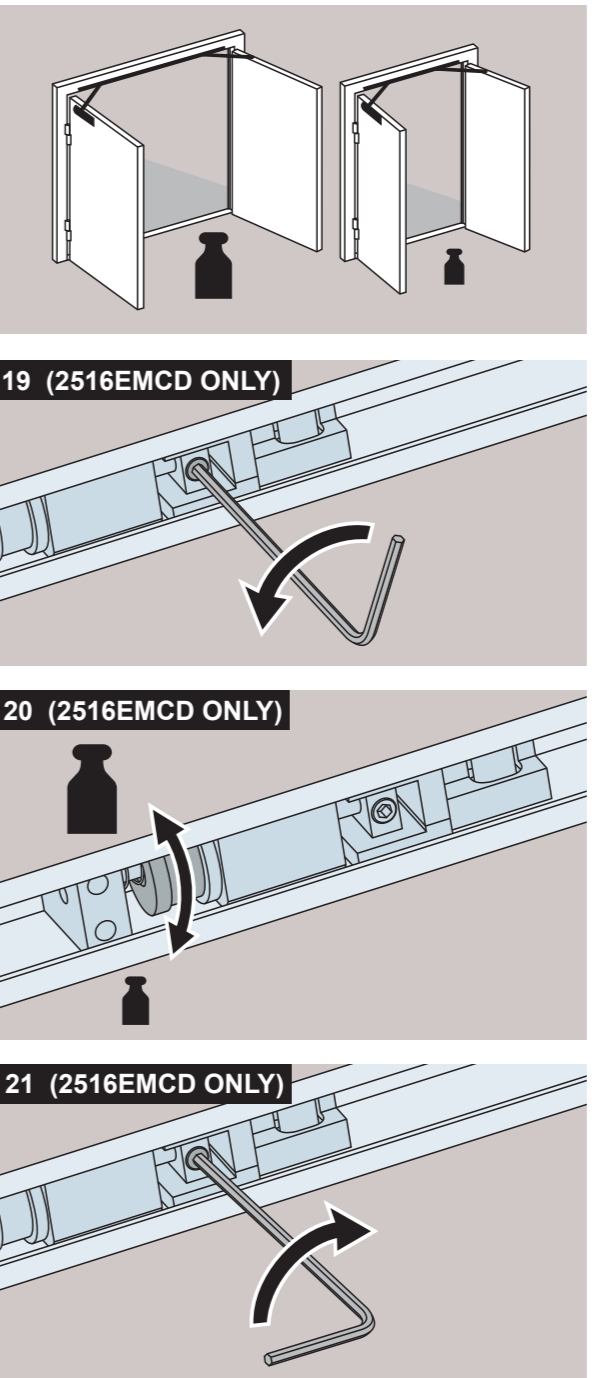
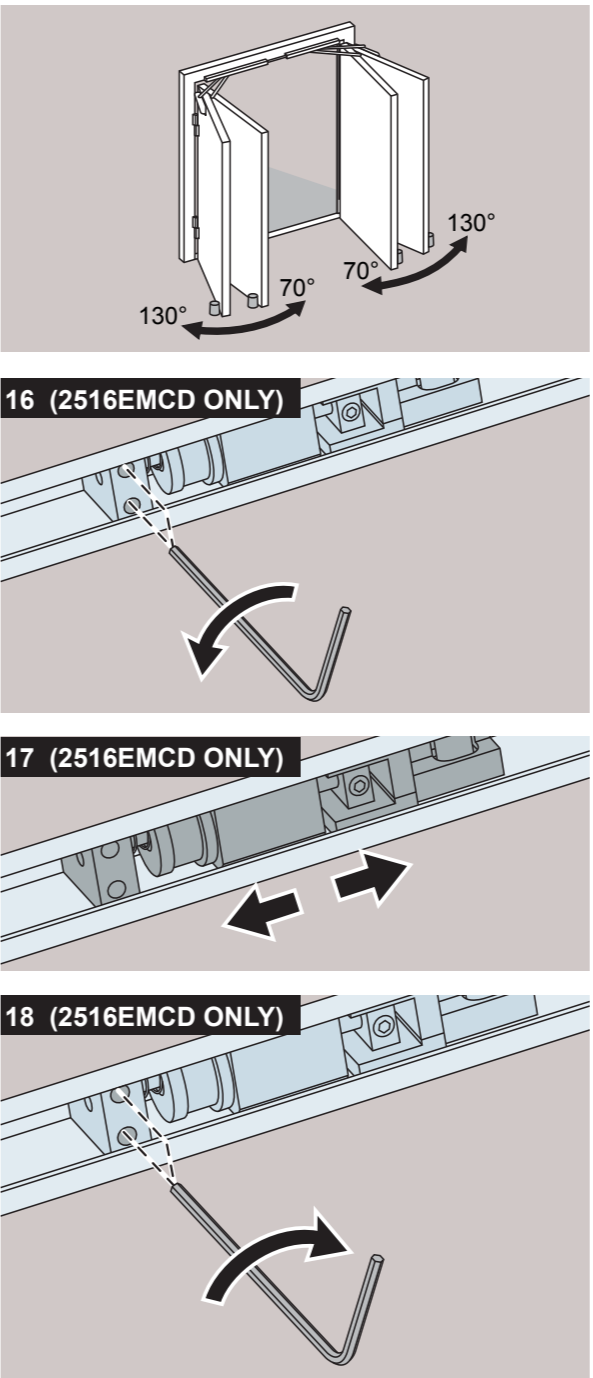
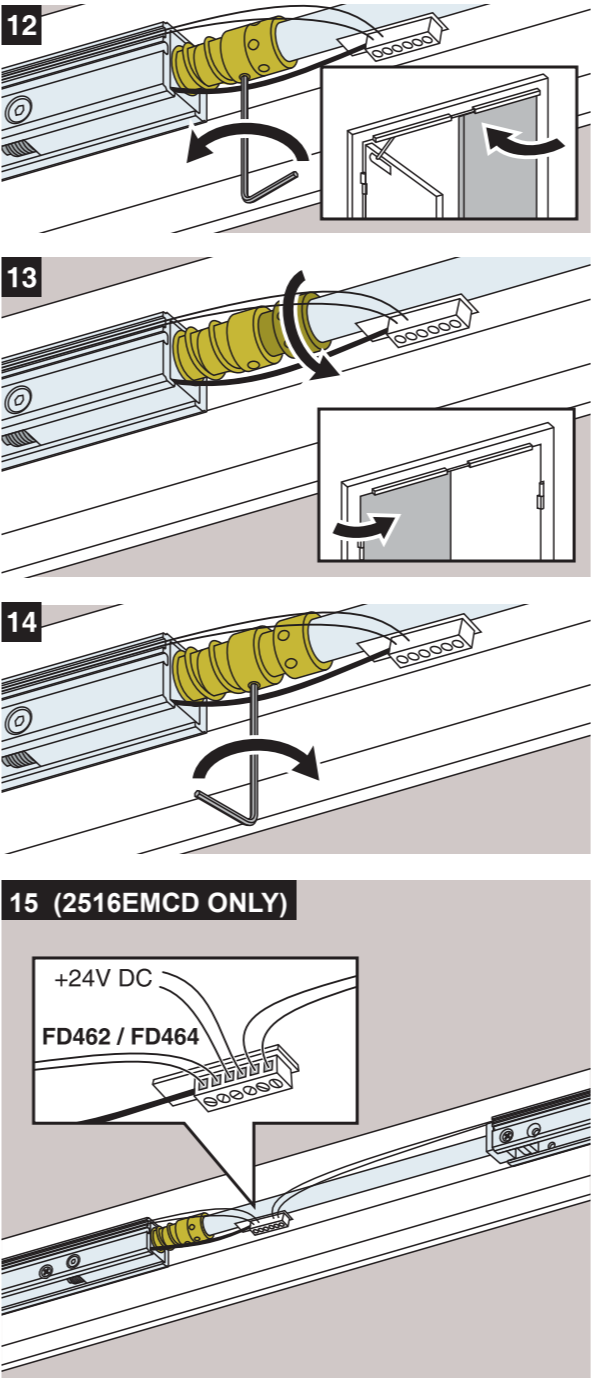
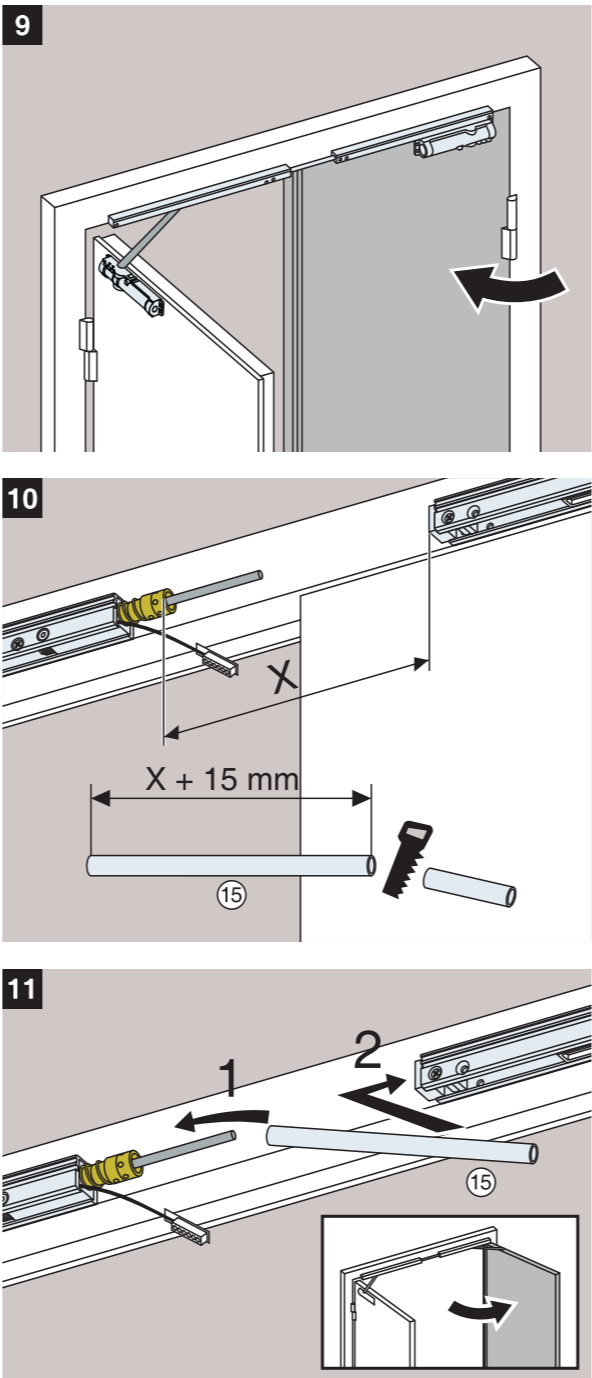
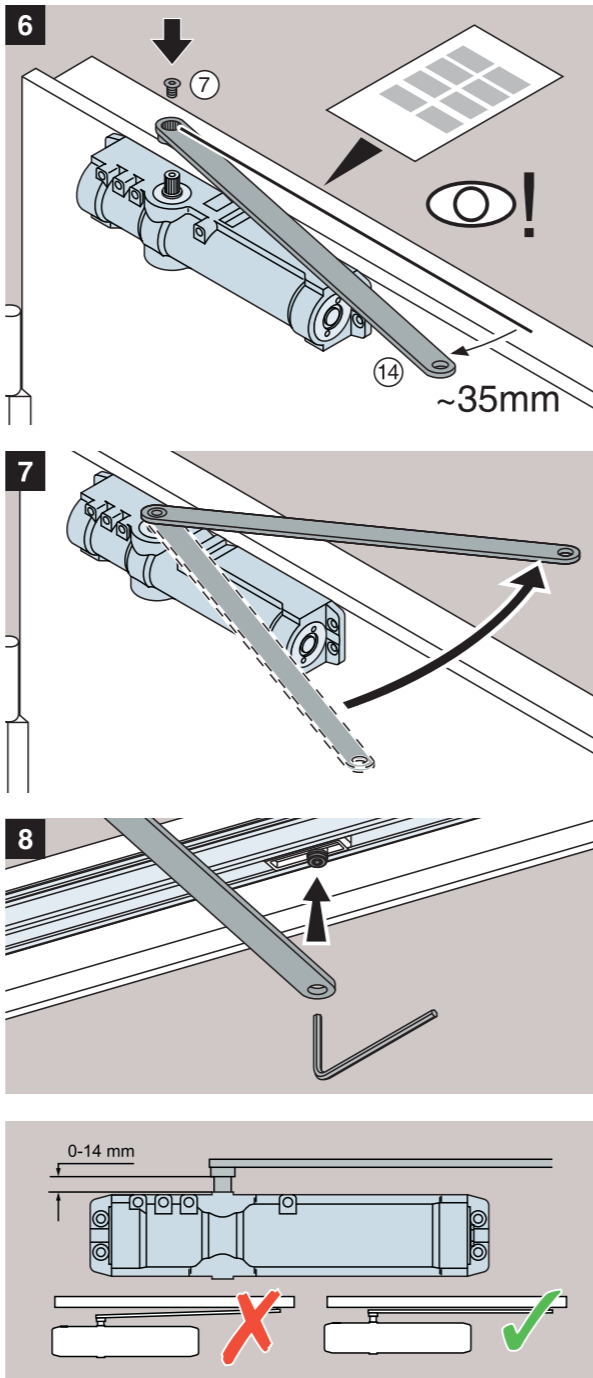
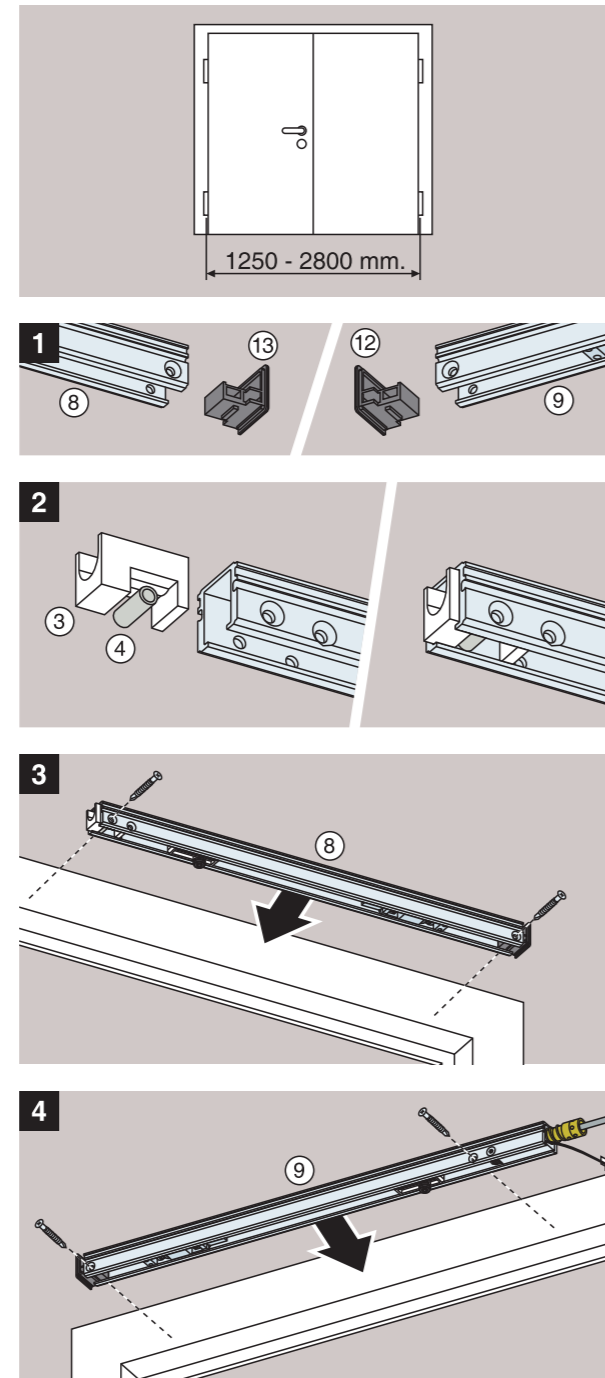
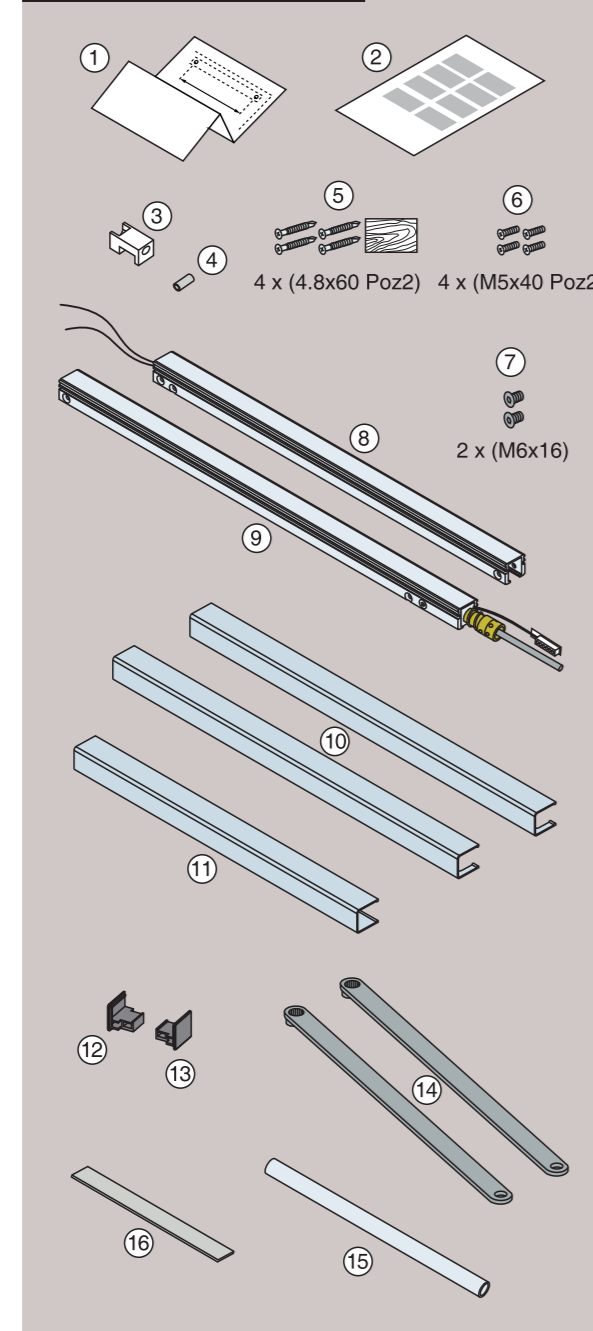
ASSA ABLOY

2516EMCD SERIES ELECTROMECHANICAL DOUBLE DOOR DOORCLOSERS with HOLD OPEN

2516CO SERIES ELECTROMECHANICAL DOUBLE DOOR DOORCLOSERS with CO-ORDINATOR



2516EMCD, 2516CO



2516EMCD (FD462, FD464)

	Abloj Oy PO Box 108 80101 Joensuu, Finland	04
0432-BPR-0050	EN 1155:1997+A1:2002	3 8 3 1 1 3
0432-BPR-0049	EN 1158:1997+A1:2002	3 8 3 1 1 3

2516CO (FD461)

	Abloj Oy PO Box 108 80101 Joensuu, Finland	04
0432-BPR-0049	EN 1158:1996+A1:2002	3 8 3 1 1 3



ASSA ABLOY
ASSA ABLOY Australia Pty Limited
235 Huntingdale Rd, Oakleigh, VIC 3166
ABN 90 086 451 907 ©2012
The Global Leader in Door Opening solutions