



Padlock Accessories

Padlock Accessories

Padbolts

Lockwood Padbolts are designed for both barrier and deterrent applications.

Features and Specifications

- Hardened steel shackle cover for added strength
- High cut resistant hardened steel construction
- Tamper resistant fasteners included
- 9.5mm bolt diameter
- Available with or without padlock

Security

Security Rating 3, 5, 6 and 7

Corrosion Rating 3

The security rating was achieved using the fasteners supplied in the pack. The use of fasteners other than those supplied may affect the security of this product.

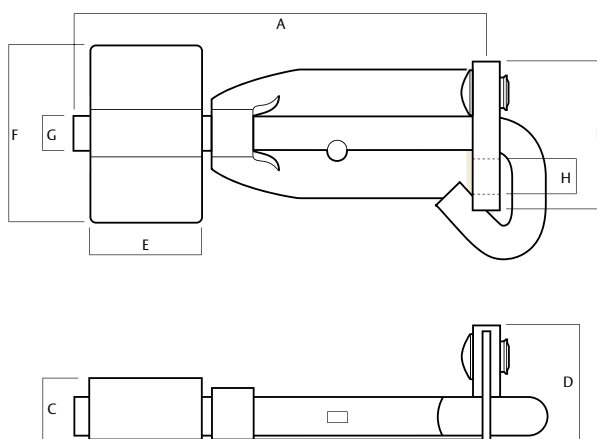
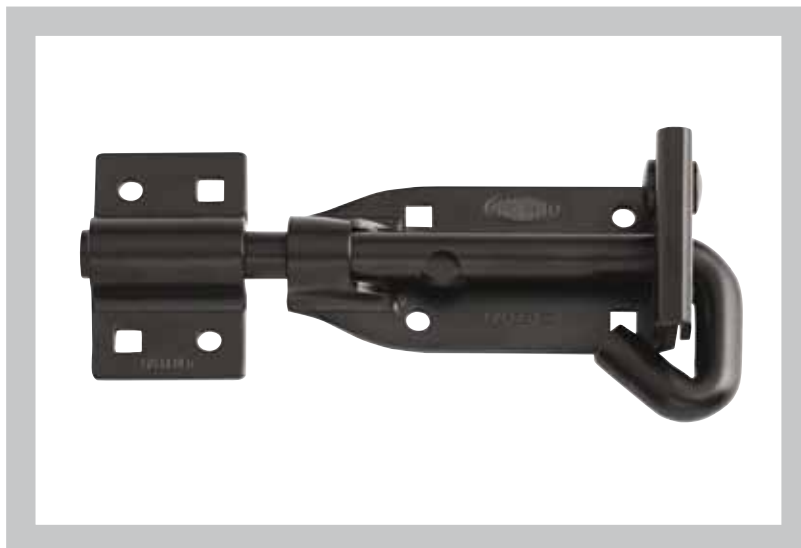
Pack Variations

Available in display pack only.

Choosing the Right Padlock

For the best results it is recommended that a Lockwood padlock with the same security rating as the accessory is selected.

When the padlock and accessory are combined the lower of the two respective ratings will apply.



Dimensions and Ratings

	A	B	C	D	E	F	G	H	Security Rating	Corrosion Resistance Rating
PA/31/100/DP and PA/32/100/DP	100	35	15	28	25	42	9.5	8.3	3	3
PA/31/150/DP and PA/32/150/DP	150	52	20	38	40	63	12.5	11	5	3
PA/31/200/DP and PA/32/200/DP	200	52	20	38	40	63	12.5	11	6	3
PA/33/200/DP	200	52	20	38	40	63	12.5	11	7	3

Catalogue Number

PA/31/100/DP	100mm long Padbolt
PA/32/100/DP	100mm long Padbolt with 30mm padlock
PA/31/150/DP	150mm long Padbolt
PA/32/150/DP	150mm long Padbolt with 40mm padlock
PA/31/200/DP	200mm long Padbolt
PA/32/200/DP	200mm long Padbolt with 50mm padlock
PA/33/200/DP	200mm long heavy duty

Padlock Accessories

Locking Plates

Lockwood Locking Plates are designed for surface mounting and side mounting where general purpose security is required.

Features and Specifications

- High cut resistant hardened steel construction
- Bolt through fixing for added strength and security on surface mounted plates
- Tamper resistant concealed fixing on side mounted plates
- All fasteners included

Security

Security Rating 5 and 6

Corrosion Rating 3

The security rating was achieved using the fasteners supplied in the pack. The use of fasteners other than those supplied may affect the security of this product.

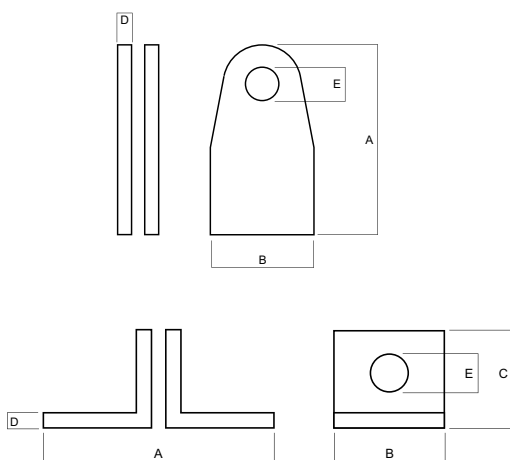
Pack Variations

Available in display pack only.

Choosing the Right Padlock

For the best results it is recommended that a Lockwood padlock with the same security rating as the accessory is selected.

When the padlock and accessory are combined the lower of the two respective ratings will apply.



Dimensions and Ratings

	A	B	C	D	E	Security Rating	Corrosion Resistance Rating
PA/14/70/DP	75	35	N/A	5	12	5	3
PA/13/70/DP	75	40	34	5	13	6	3

Catalogue Number

PA/13/70/DP	For non-handed, surface mounted applications
PA/14/70/DP	For non-handed, side mounted applications

Padlock Accessories

Locking Plates with Shackle Guard (left and right hand)

Lockwood Locking Plates with Shackle Guard are designed for surface mounting where high security is required.

Features and Specifications

- Hardened steel shackle guard
- High cut resistant hardened steel construction
- Bolt through fixing for added strength and security
- High tensile 6mm coach bolts, nuts and washers included

Security

Security Rating 7

Corrosion Rating 3

The security rating was achieved using the fasteners supplied in the pack. The use of fasteners other than those supplied may affect the security of this product.

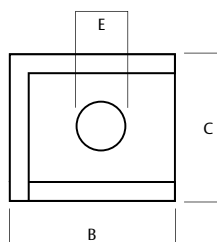
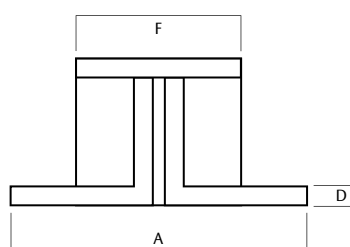
Pack Variations

Available in display pack only.

Choosing the Right Padlock

For the best results it is recommended that a Lockwood padlock with the same security rating as the accessory is selected.

When the padlock and accessory are combined the lower of the two respective ratings will apply.



Dimensions and Ratings

	A	B	C	D	E	F	Security Rating	Corrosion Resistance Rating
PA/11/70/DP	70	40	39	5	13	50	7	3
PA/12/70/DP	70	40	39	5	13	50	7	3

Catalogue Number

PA/11/70/DP

For applications with hinges on the right and opening toward installer (LH).

PA/12/70/DP

For applications with hinges on the left and opening toward installer (RH).

Padlock Accessories

Hasp and Staples

Lockwood Hasp and Staples are designed for both barrier and deterrent applications.

Features and Specifications

- High cut resistant hardened steel construction with strengthening ribs and rolled edges for added protection
- Tamper resistant concealed fixing
- All fasteners included
- Available with or without padlock

Security

Security Rating 3 and 5

Corrosion Rating 3

The security rating was achieved using the fasteners supplied in the pack. The use of fasteners other than those supplied may affect the security of this product.

Pack Variations

Available in display pack only.

Choosing the Right Padlock

For the best results it is recommended that a Lockwood padlock with the same security rating as the accessory is selected.

When the padlock and accessory are combined the lower of the two respective ratings will apply.

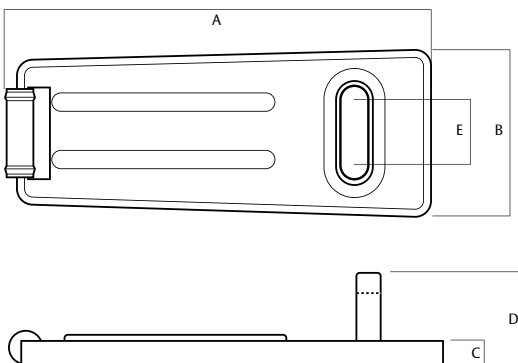


Dimensions and Ratings

	A	B	C	D	E	Security Rating	Corrosion Resistance Rating
PA/21/90/DP and PA/22/90/DP	90	37	6.5	23	10	3	3
PA/21/120/DP and PA/22/120/DP	120	45	7.5	28.5	12	5	3

Catalogue Number

PA/21/90/DP	90mm long Hasp and Staple
PA/22/90/DP	90mm long Hasp and Staple with 30mm Padlock
PA/21/120/DP	120mm long Hasp and Staple
PA/22/120/DP	120mm long Hasp and Staple with 40mm Padlock



Padlock Accessories

Hasp and Staples – Covered

Lockwood Covered Hasp and Staples are designed for general purpose security applications.

Features and Specifications

- High cut resistant hardened steel construction with strengthening ribs and rolled edges for added protection
- Tamper resistant concealed fixing
- All fasteners included
- Available with or without padlock

Security

Security Rating 6

Corrosion Rating 3

The security rating was achieved using the fasteners supplied in the pack. The use of fasteners other than those supplied may affect the security of this product.

Pack Variations

Available in display pack only.

Choosing the Right Padlock

For the best results it is recommended that a Lockwood padlock with the same security rating as the accessory is selected.

When the padlock and accessory are combined the lower of the two respective ratings will apply.

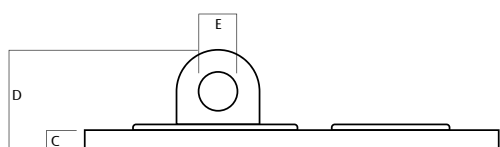
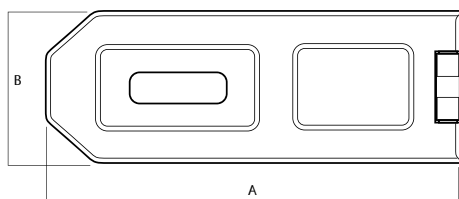


Dimensions and Ratings

	A	B	C	D	E	Security Rating	Corrosion Resistance Rating
PA/21/130/DP and PA/22/130/DP	125	46	9	31	12.5	6	3

Catalogue Number

PA/21/130/DP	130mm long Hasp and Staple
PA/22/130/DP	130mm long Hasp and Staple with 50mm Padlock



Padlock Accessories

Hasp and Staple – Heavy Duty

Lockwood Heavy Duty Hasp and Staples are designed for high security applications.

Features and Specifications

- High cut resistant hardened steel construction
- Bolt through tamper resistant concealed fixing for added strength and security
- All fasteners included

Security

Security Rating 7

Corrosion Rating 3

The security rating was achieved using the fasteners supplied in the pack. The use of fasteners other than those supplied may affect the security of this product.

Pack Variations

Available in display pack only.

Choosing the Right Padlock

For the best results it is recommended that a Lockwood padlock with the same security rating as the accessory is selected.

When the padlock and accessory are combined the lower of the two respective ratings will apply.

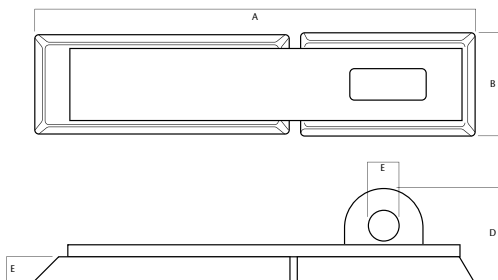


Dimensions and Ratings

	A	B	C	D	E	Security Rating	Corrosion Resistance Rating
PA/21/190/DP	190	44	9.5	40	14	7	3

Catalogue Number

PA/21/190/DP 190mm long Hasp and Staple



Padlock Accessories

Hasp and Staple – Hinged

Lockwood Hinged Hasp and Staples are designed for general purpose security applications.

Features and Specifications

- Double hinged design for added flexibility
- High cut resistant hardened steel construction with strengthening ribs and rolled edges for added protection
- Tamper resistant concealed fixing
- All fasteners included

Security

Security Rating 6

Corrosion Rating 3

The security rating was achieved using the fasteners supplied in the pack. The use of fasteners other than those supplied may affect the security of this product.

Pack Variations

Available in display pack only.

Choosing the Right Padlock

For the best results it is recommended that a Lockwood padlock with the same security rating as the accessory is selected.

When the padlock and accessory are combined the lower of the two respective ratings will apply.

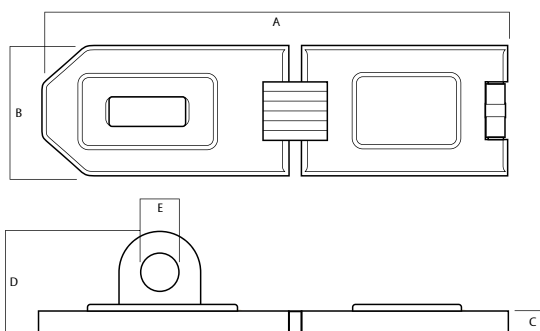


Dimensions and Ratings

	A	B	C	D	E	Security Rating	Corrosion Resistance Rating
PA/23/160/DP	160	46	9	31	12.5	6	3

Catalogue Number

A/23/160/DP 160mm long Hasp and Staple



Padlock Accessories

Hasp and Staple – Pivoting

Lockwood Pivoting Hasp and Staples are designed for high security applications.

Features and Specifications

- Pivoting hasp design for added flexibility
- High cut resistant hardened steel construction
- Bolt through tamper resistant concealed for added strength and security
- All fasteners included

Security

Security Rating 7

Corrosion Rating 3

The security rating was achieved using the fasteners supplied in the pack. The use of fasteners other than those supplied may affect the security of this product.

Pack Variations

Available in display pack only.

Choosing the Right Padlock

For the best results it is recommended that a Lockwood padlock with the same security rating as the accessory is selected.

When the padlock and accessory are combined the lower of the two respective ratings will apply.

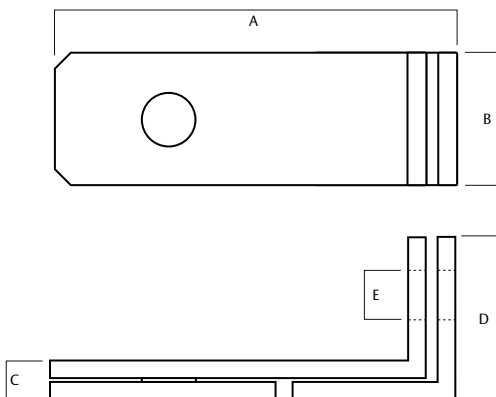


Dimensions and Ratings

	A	B	C	D	E	Security Rating	Corrosion Resistance Rating
PA/25/105/DP	105	35	11	42	12	7	3

Catalogue Number

PA/25/105/DP 105mm long Hasp and Staple



Padlock Accessories

Chains

Lockwood Chains are designed for both general purpose and maximum security applications.

Features and Specifications

- Hardened alloy or manganese steel links
- Tough weather resistant vinyl sleeve
- 600mm, 900mm and 1200mm lengths

Security

Security Rating 6, 7, 8 and 9

Corrosion Rating 3

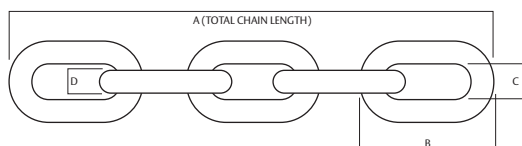
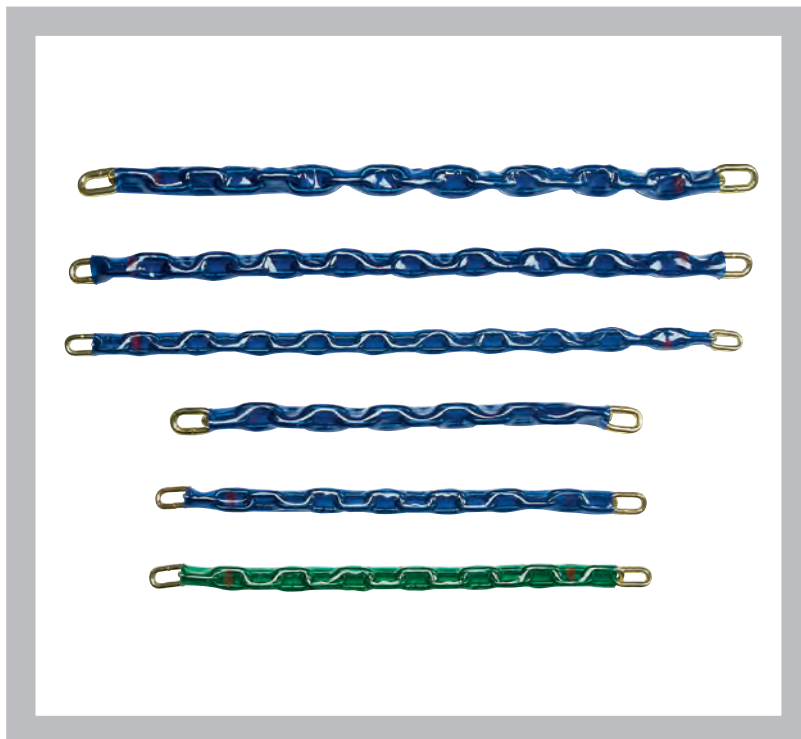
Pack Variations

Available in display pack only.

Choosing the Right Padlock

For the best results it is recommended that a Lockwood padlock with the same security rating as the accessory is selected.

When the padlock and accessory are combined the lower of the two respective ratings will apply.



Dimensions and Ratings

	A	B	C	D	Security Rating	Corrosion Resistance Rating
PA/44/600/DP	600	38	13	8	6	3
PA/41/600/DP	600	38	13	8	7	3
PA/41/900/DP	900	38	13	8	7	3
PA/42/600/DP	600	42	16	10	8	3
PA/42/900/DP	900	42	16	10	8	3
PA/42/1200/DP	1200	42	16	10	8	3
PA/43/900/DP	900	46	20	12	9	3

Catalogue Number

PA/41/600/DP	8mm dia x 600mm long Manganese Steel Chain
PA/41/900/DP	8mm dia x 900mm long Manganese Steel Chain
PA/42/600/DP	10mm dia x 600mm long Manganese Steel Chain
PA/42/900/DP	10mm dia x 900mm long Manganese Steel Chain
PA/42/1200/DP	10mm dia x 1200mm long Manganese Steel Chain
PA/43/900/DP	12mm dia x 900mm long Manganese Steel Chain
PA/44/600/DP	8mm dia x 600mm long Alloy Steel Chain

Padlock Accessories Ordering Procedure

Sample part number PA/11/70/DP is made up of several sections.
Choose your product by selecting an option from each section.

For example:

Accessory Series	Product Group	Product Sub-Group	Length	Packaging
PA	1	1	70	DP

Product Group	Product Sub-Group
Locking Plate 1	Locking Plates:
Hasp and Staple 2	LH Surface Mounted with Shackle Protection 1
Padbolt 3	RH Surface Mounted with Shackle Protection 2
Chain 4	Surface Mounted Plates 3
	Side Mounted Plates 4
	Hasps and Staples:
	Straight Hasp and Staple 1
	Straight Hasp and Staple with Padlock /Single Hinged Hasp and Staple 2
	Double Hinged Hasp and Staple with Padlock 3
	Swing Away Hasp and Staple 4
	Padbolts:
	Padbolt with Shackle Hole Cover 1
	Padbolt with Shackle Hole Cover and Padlock 2
	Heavy Duty Padbolt with Shackle Hole Cover 3
	Chains:
	8mm Diameter Manganese Steel Chain 1
	10mm Diameter Manganese Steel Chain 2
	12mm Diameter Manganese Steel Chain 3
	8mm Diameter Alloy Steel Chain 4

ASSA ABLOY is the global leader in door opening solutions, dedicated to satisfying end-user needs for security, safety and convenience



Lockwood is the leading brand in the Australian locking industry. With an established reputation for high quality products, this iconic brand provides a wide range of locking solutions to residential housing, commercial building and industrial application markets. Lockwood is supported by an extensive distribution and after-sales support network. Our customers include retailers, architects, trade and industrial personnel, locksmiths and security dealers.



ASSA ABLOY is the global leader in door opening solutions, dedicated to satisfying end-user needs for security, safety and convenience.

ASSA ABLOY is represented in all major regions, in both mature and emerging markets, with leading positions in Australia, Europe and North America.

As the world's leading lock group, ASSA ABLOY offers a more complete product range of door opening solutions than any other company in the market.

Australia
1300 LOCK UP (1300 562 587)
lockweb.com.au

New Zealand
+64 9415 7111
assaabloy.co.nz

ASSA ABLOY Australia Pty Ltd
235 Huntingdale Road
Oakleigh, Victoria, 3166
Australia

info.au@assaabloy.com
assaabloy.com.au

ASSA ABLOY New Zealand Ltd
6 Armstrong Road
Albany, North Shore City, 0632
New Zealand

info.nz@assaabloy.com
assaabloy.co.nz

