



Window Accessories



Window Accessories

Whitmatic®

Application / Description

Pull and auto latching window catch.

Features and Specifications

- Zinc diecast construction
- Spring loaded catch for automatic latching
- Push lever to open, pull lever to close
- Combination pull and fastener
- Strike has nib to prevent catch hitting frame

Available in Display and Trade Packs.

Keying

Not keyed

Standard Finishes	
Satin Chrome	05
Bright Chrome	08

Available in plated finishes

Non Standard Finishes

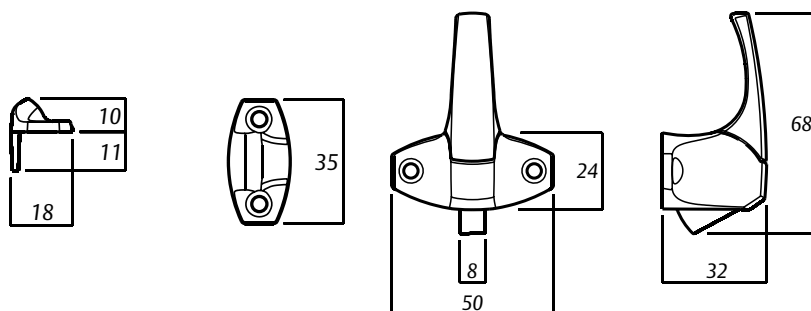
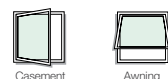
Other finishes are not available.

Ordering	
Display Pack	W2311••
Trade Pack	W2301••

•• Denotes finish. See price list for available pack / finish combinations.



Aluminium Timber



Window Accessories

Whitspur®

Application / Description

Pull and auto latching window catch.

Features and Specifications

- Zinc diecast construction
- Spring loaded catch for automatic latching
- Push lever to open, pull lever to close
- Combination pull and fastener

Available in Display Packs Only.

Keying

Not keyed

Standard Finishes

Satin Chrome	05
Bright Chrome	08

Available in plated finishes

Non Standard Finishes

Other finishes are not available.

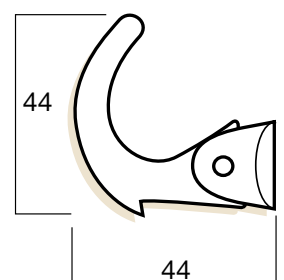
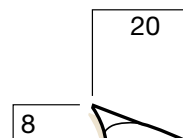
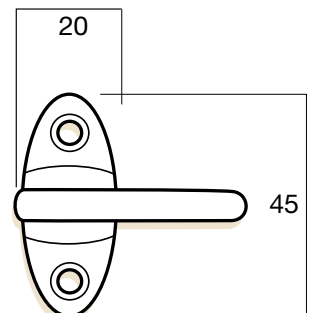
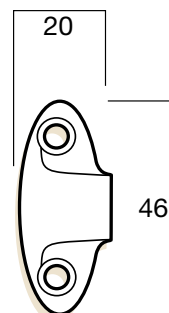
Ordering

Display Pack W2611••

•• Denotes finish. See price list for available pack / finish combinations



Aluminium Timber



Window Accessories

Whitpull®

Application / Description

Durable metal finger pull for drawers, doors and windows.

Features and Specifications

- Zinc diecast construction
- Offset pull
- Easily fitted
- Packed with fastening screws

Available in Trade Pack Only.

Keying

Not keyed

Standard Finishes

Satin Chrome	05
Bright Chrome	08
White	16
Black	17

Available in both plated and polyester powder coat finishes

Non Standard Finishes

Other finishes are not available.

Ordering

Trade Pack W4101••

•• Denotes finish. See price list for available pack / finish combinations



Aluminium Timber



Draws



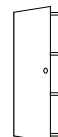
Sliding



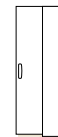
Casement



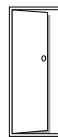
Awning



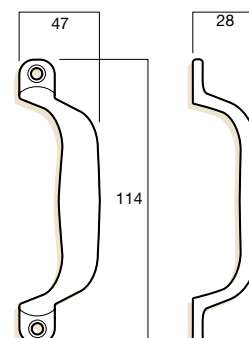
Cupboard



Internal Sliding



Internal Hinged



Window Accessories

Sash Lifts

Application / Description

Durable metal finger grip lift for double hung window sashes.

Features and Specifications

- Steel construction
- Small and durable
- Easily fitted
- Packed with fastening screws

Available in Trade Pack Only.

Keying

Not keyed



Aluminium Timber



Double Hung

Standard Finishes

Satin Gold	02
Satin Chrome	05
Bright Chrome	08
White	16
Black	17

Available in both plated and polyester powder coat finishes

Non Standard Finishes

Other polyester power coat finishes available on application.

Ordering

Trade Pack W4102••

•• Denotes finish. See price list for available pack / finish combinations

Window Accessories

Hook Hinges

Application / Description

Metal detachable hinge for awning windows.

Features and Specifications

- Pressed galvanised steel
- Allows easy removal of sash from frame
- Pack contains both left and right hand set for a complete window
- Standard with prong for timber windows

Available in Trade Pack Only.

Keying

Not keyed

Standard Finishes

Galvanised	01
Brown	13

Available in both plated and polyester powder coat finishes

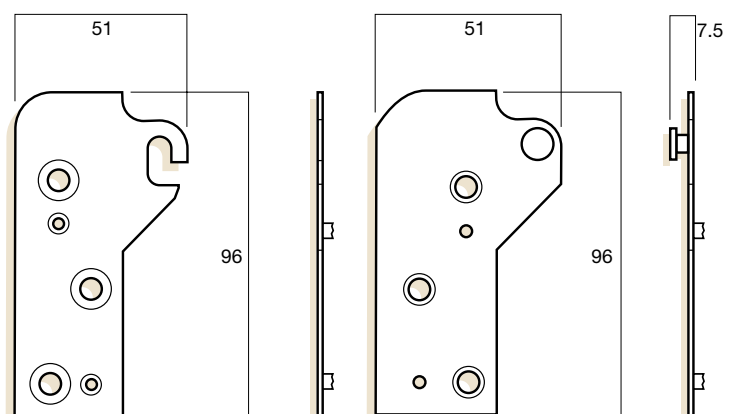
Non Standard Finishes

Other polyester powder coat finishes available on application.

Ordering

Trade Pack	
No screws	W3123••
With fixing screws	W3124••
Bulk pack (50 pack) (With no screws)	W3125••

•• Denotes finish. See price list for available pack / finish combinations



Prong version

Whitco®

Whitco protects millions of Australian homes and offers the largest range of security and hardware products for residential doors and windows in Australia. With our proud heritage, and by offering a wide variety of locks at affordable prices, Whitco has become one of Australia's most trusted brands.

The Whitco brand is an integral part of ASSA ABLOY Australia Pty Limited, the market leader in the lock and security products industry in Australia.

ASSA ABLOY

ASSA ABLOY is the global leader in door opening solutions, dedicated to satisfying end-user needs for security, safety and convenience.

ASSA ABLOY is represented in all major regions, in both mature and emerging markets, with leading positions in Australia, Europe and North America.

As the world's leading lock group, ASSA ABLOY offers a more complete product range of door opening solutions than any other company in the market.

Australia
1300 LOCK UP (1300 562 587)
whitco.com.au

New Zealand
Telephone +64 94157111
assaabloy.co.nz

ASSA ABLOY Australia Pty Ltd
235 Huntingdale Road
Oakleigh, Victoria, 3166
Australia

info.au@assaabloy.com
assaabloy.com.au

ASSA ABLOY New Zealand Ltd
6 Armstrong Road
Albany, North Shore City, 0632
New Zealand

info.nz@assaabloy.com
assaabloy.co.nz

An ASSA ABLOY Group brand

Disclaimer

Whilst every effort has been made to ensure that the information contained in this brochure is accurate at the time of publication, ASSA ABLOY Australia Pty Limited ("ASSA ABLOY") recommends that you consult ASSA ABLOY or its agents prior to placing an order to ascertain current information on specific products, as ASSA ABLOY reserves the right to make any changes without notice. ASSA ABLOY will not be liable for any injury, loss or damage whatsoever, arising from any errors or omissions in the information contained in the brochure or arising from the use or application of the information contained herein.